



Wi-Fi + BLE
Smart Switch & In-Wall module

User Manual



Installation Instructions:

1. Cut-off the power before Installation for Safety.
2. Use of Neutral wire is mandatory for Connection.
3. Set WiFi Router at 2.4 GHz Frequency.
4. Install the device as per given instructions.
5. Connect wires according to the wiring diagram.
6. **For Touch Switch:** Fit the Switch in the Switch Plate.
For In-wall switch: Fit the In-wall Switch module inside the Switch Plate behind the switches.
7. Turn on the power supply and follow next section instructions for App configuration.

App Configuration:

1. Download Smart Life App in your smartphone and complete the one-time registration.
2. Make sure Mobile Bluetooth is Turned On & connected to your Wi-Fi network (2.4Ghz Frequency).
3. Check if switch Blue LED light is blinking (= switch is in configuration mode)

4. **For Touch Switch:** If LED is not blinking, then please press any switch / fan touch button for 20 seconds continuously till the LED starts blinking.
5. **For In-wall switch:** If LED is not blinking, then please turn on & turn off any 1 switch continuously for 7-8 times till the LED starts blinking.
6. Open the Smart Life App, select "+" button on the top right corner to Add Device.
7. You can either use Auto Scan option to select the switch automatically OR to Add switch manually, Go to Electrical section, Scroll down to Switch and select Switch (BLE+Wi-Fi).
8. App will prompt for Wi-Fi ID and Password. Please enter the same.
9. Please wait till the App completes configuration – Blue LED should stop blinking within 20-180 seconds - means the Linkage is completed.
10. You can rename the added switch as per your wish.
11. Click "Done" to complete the configuration. You can now the operate the smart Switch using Smart Life App

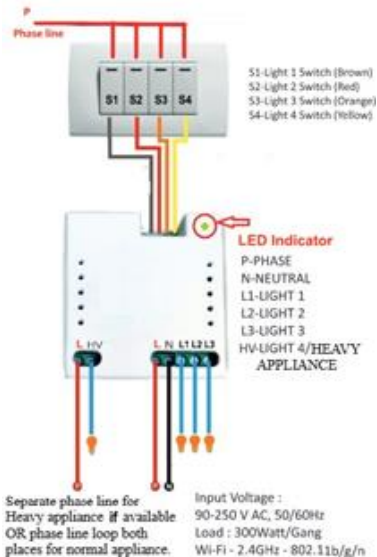
Alexa Set-up:

1. Download & Register Amazon Alexa app in your phone.
2. Select Skills & Games, search and link with "Smart Life App".
3. After Successful linking, ask "Alexa discover my devices" and Alexa will show all discovered devices.
4. This complete the Alexa linkage. If any device was not discovered, please check internet connection and repeat the process as stated above.

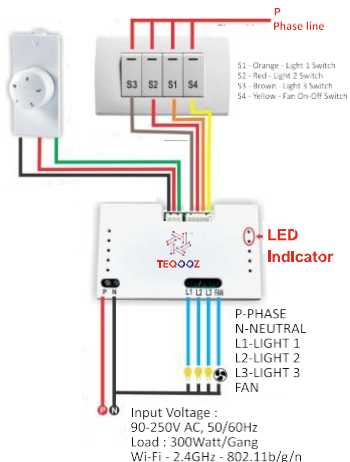
Google Set-up:

1. Download Google Home app in your mobile & Register.
2. Open the App, select "+" button on the top left corner to "set up device" and select "works with Google".
3. Search and select "Smart Life App", it will link your switches automatically.
4. This complete the Google Home linkage. If any device was not discovered, please check internet connection and repeat the process as stated above.

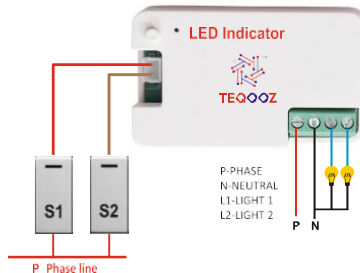
Wiring Diagram 4 Node (4 Lights) In-Wall Smart Module



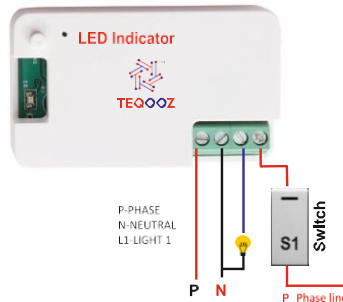
Wiring Diagram 3 +1 (3 Lights + 1 Fan) In-Wall Smart Module



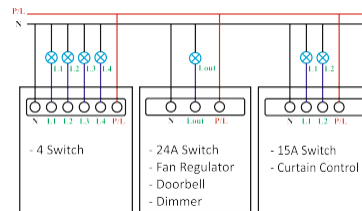
2 Node In-Wall Smart Module



1 Node In-Wall Smart Module



Wiring Diagram Smart Touch Switches



For more Information :

Teqooz Megastar LLP

A/2, Satellite Apt., Satellite,
Ahmedabad - 380 015

Contact us : ✉ gm@megastar.in

Website : 🌐 www.teqooz.in

